

Metallized Polypropylene Film Capacitor -ZZEC



CBB21(MPP)

FEATURES

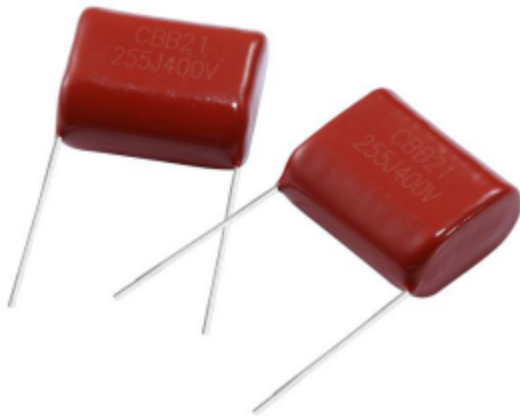
- Metallized polypropylene film, small inherent temperature rise.
- High voltage resistance, high temperature wax sealed, flame retardant epoxy powder coating.
- Low noise.
- Moisture-proof, flame retardant.
- Low dissipation factor.
- Good self-healing property, good stability and reliability.

APPLICATIONS

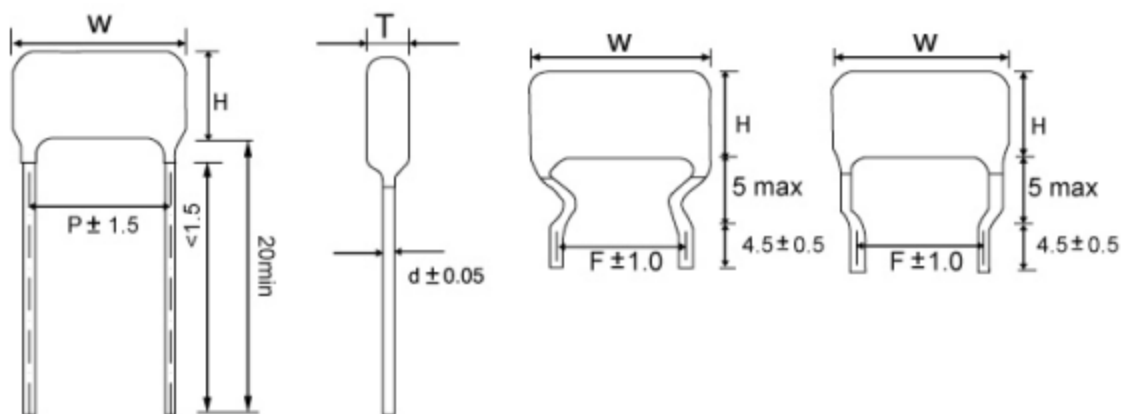
Widely used in a various of AC and DC pulse larger circuit.

SPECIFICATIONS

Climatic Category	55/085/21
Rated Voltage	160V、250V、400V、630V
Capacitance Range	0.0010Mf ~3.3μF
Capacitance Tolerance	±5%(J), ±10%(K),
Voltage Proof	1.6U _n
Insulation resistance	≥15000MΩ, CR≤0.33μF(20℃、1min)
	≥5000S, CR>0.33μF (20℃, 1min)
Tangent of loss angle	≤0.0008 %(20℃、1KHZ)



DRAWING: (mm)



Metallized Polypropylene Film Capacitor -ZZEC

STANDARD SIZE

Dimensions(mm) and special specifications can product according to your demand.

Cap (μ F)	100/160VDC					200/250 VDC					400 VDC				
	W	H	T	P	D	W	H	T	P	D	W	H	T	P	D
	+/-1mm		+/-1mm			+/-1mm									
0.027	--	--	--	--	--	--	--	--	--	--	12	12	6.5	10	0.6
0.033	--	--	--	--	--	--	--	--	--	--	12	12.5	7	10	0.6
0.039	--	--	--	--	--	--	--	--	--	--	12	13	7	10	0.6
0.047	--	--	--	--	--	--	--	--	--	--	12	13.5	8	10	0.6
0.056	--	--	--	--	--	12	10.5	6.5	10	0.6	12	14	8.5	10	0.6
0.068	--	--	--	--	--	12	11	7	10	0.6					
0.082	--	--	--	--	--	12	10.5	6.5	10	0.6					
0.1	--	--	--	--	--	12	11	6.5	10	0.6					
0.12	--	--	--	--	--	12	11.5	7.5	10	0.6					
0.15	12	11.5	6.5	10	0.6										
0.18	12	12.5	6.5	10	0.6										
0.22	12	13	7	10	0.6										
0.27	12	13	8	10	0.6										
0.33	18	13	7	15	0.6										
0.39	18	14	8	15	0.6										
0.47	18	14	8	15	0.6										
0.56	18	14.5	9	15	0.6										
0.68	18	15.5	9.5	15	0.6										
0.82	18	16	10.5	15	0.8										
1	24	16.5	9.5	20	0.8										
1.2	23	17.5	10	20	0.6										
1.5	23	18.5	11	20	0.6										
2.2	29	19	12	25	0.6										
2.7	29	21.5	12.5	25	0.8										
3.3	29	22.5	14	25	0.8										

Please visit our website to get more update data, those data & specification are subject to change without notice.